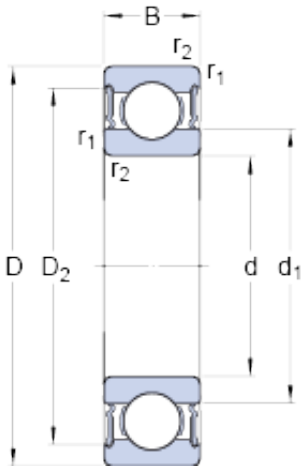




AMERICAN Timken BEARING MFG.CORP.



61818-2RS1 Bearing 2D drawings and 3D CAD models

Rodamientos SKF 61818-2RS1 Deep Groove Ball Bearing SKF 61916 2RS 6016 2RS 6216 2RS

Bearing No. 61818-2RS1

| | |
|---|--------------------------|
| Size | 115x90x13 mm |
| Bore Diameter | 115 mm |
| Outer Diameter | 90 mm |
| Width | 13 mm |
| d | 90 mm |
| D | 115 mm |
| B | 13 mm |
| d ₁ | 98.3 mm |
| D ₂ | 109.5 mm |
| r _{1,2} - min. | 1 mm |
| d _a - min. | 94.6 mm |
| d _a - max. | 98.1 mm |
| D _a - max. | 110 mm |
| r _a - max. | 1 mm |
| Basic dynamic load rating - C | 19.5 kN |
| Basic static load rating - C ₀ | 17 kN |
| Fatigue load limit - P _u | 0.915 kN |
| Limiting speed | 3200 r/min |
| Calculation factor - k _r | 0.015 |
| Calculation factor - f ₀ | 13.4 |
| Category | Single Row Ball Bearings |
| Inventory | 0.0 |
| Manufacturer Name | SKF |
| Minimum Buy Quantity | N/A |



AMERICAN Timken BEARING MFG.CORP.

| | |
|---------------------------------|--|
| Weight / Kilogram | 0.303 |
| EAN | 7316576639388 |
| Product Group | B00308 |
| Enclosure | 2 Seals |
| Precision Class | ABEC 1 ISO P0 |
| Maximum Capacity / Filling Slot | No |
| Rolling Element | Ball Bearing |
| Snap Ring | No |
| Internal Special Features | No |
| Cage Material | Steel |
| Enclosure Type | Contact Seal |
| Internal Clearance | C0-Medium |
| Inch - Metric | Metric |
| Long Description | 90MM Bore; 115MM Outside Diameter; 13MM Outer Race Diameter; 2 Seals; Ball Bearing; ABEC 1 ISO P0; No Filling Slot; No Snap Ring; No Internal Special Features |
| Category | Single Row Ball Bearing |
| UNSPSC | 31171504 |
| Harmonized Tariff Code | 8482.10.50.68 |
| Noun | Bearing |
| Keyword String | Ball |
| Manufacturer URL | http://www.skf.com |
| Manufacturer Item Number | 61818 2RS1 |
| Weight / LBS | 0.67 |
| Outside Diameter | 4.528 Inch 115 Millimeter |
| Bore | 3.543 Inch 90 Millimeter |
| Outer Race Width | 0.512 Inch 13 Millimeter |
| bore diameter: | 90 mm |
| static load capacity: | 22 kN |
| | |



AMERICAN Timken BEARING MFG.CORP.

| | |
|--------------------------------|--------------------------|
| outside diameter: | 115 mm |
| precision rating: | Not Rated |
| overall width: | 13 mm |
| finish/coating: | Uncoated |
| bore type: | Round |
| cage material: | Steel |
| closure type: | Double Sealed |
| outer ring width: | 13 mm |
| row type & fill slot: | Single Row Non-Fill Slot |
| fillet radius: | 1 mm |
| internal clearance: | C0 |
| maximum rpm: | 3200 RPM |
| operating temperature range: | -40 to +210 ° F |
| series: | 61 |
| dynamic load capacity: | 19.5 kN |
| d_1 | 98.3 mm |
| D_2 | 109.5 mm |
| $r_{1,2}$ min. | 1 mm |
| d_a min. | 94.6 mm |
| d_a max. | 98.1 mm |
| D_a max. | 110 mm |
| r_a max. | 1 mm |
| Basic dynamic load rating C | 19.5 kN |
| Basic static load rating C_0 | 17 kN |
| Fatigue load limit P_u | 0.915 kN |
| Calculation factor k_r | 0.015 |
| Calculation factor f_0 | 13.4 |
| Mass bearing | 0.29 kg |