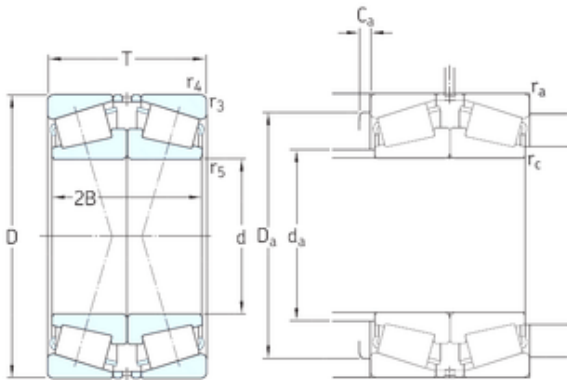




AMERICAN Timken BEARING MFG.CORP.



75 mm x 130 mm x 31 mm SKF 32215J2/QDF tapered roller bearings

Bearing No. 32215J2/QDF

32215J2/QDF Bearing 2D drawings and 3D CAD models

Size	75x130x66.5 mm
Bore Diameter	75 mm
Outer Diameter	130 mm
Width	66,5 mm
d	75 mm
D	130 mm
T	66,5 mm
B	31 mm
r3 min.	1,5 mm
r4 min.	1,5 mm
r5 min.	0,6 mm
2B	62 mm
Ca max.	4 mm
da max	85 mm
Da min	114 mm
Da max.	122 mm
ra max.	1,5 mm
rc max.	0,6 mm
Weight	3,4 Kg
Basic dynamic load rating (C)	275 kN
Basic static load rating (C0)	425 kN
Fatigue load limit (Pu)	49
Reference speed	3000 r/min
Limiting speed	5000 r/min
Calculation factor (e)	0,43



AMERICAN Timken BEARING MFG.CORP.

Calculation factor (Y0)	1,6
Calculation factor (Y1)	1,6