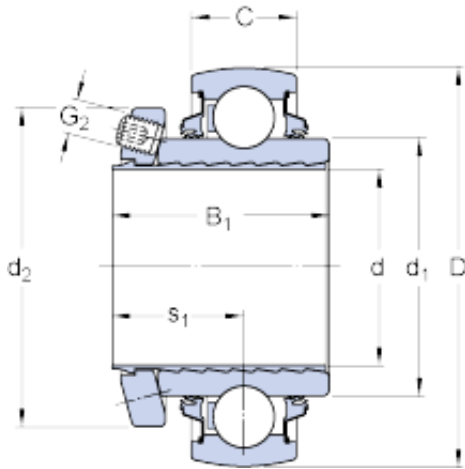




AMERICAN Timken BEARING MFG.CORP.



YSPAG 206 Bearing 2D drawings and 3D CAD models

SKF YSPAG 206 deep groove ball bearings

Bearing No. YSPAG 206

Size	62x30x37 mm
Bore Diameter	62 mm
Outer Diameter	30 mm
Width	37 mm
d	30 mm
D	62 mm
B ₁	37 mm
C	18 mm
d ₁	39.7 mm
d ₂	48 mm
s ₁	23 mm
Basic dynamic load rating - C	19.5 kN
Basic static load rating - C ₀	11.2 kN
Fatigue load limit - P _u	0.475 kN
Limiting speed	1200 r/min
Calculation factor - f ₀	14
Mass bearing	0.3 kg
Thread - G ₂	M5
Hexagonal key size for grub screw - H	2.5 mm
Recommended tightening torque for grub screw	4.2 N · m
Category	Bearings
Inventory	0.0
Manufacturer Name	SKF



AMERICAN Timken BEARING MFG.CORP.

Minimum Buy Quantity	N/A
Weight / Kilogram	0
Product Group	M06110
B ₁	37.2 mm
d ₁	39.7 mm
d ₂	48 mm
s ₁	23.2 mm
Basic dynamic load rating C	19.5 kN
Basic static load rating C ₀	11.2 kN
Fatigue load limit P _u	0.475 kN
Limiting speed ¹⁾	1200 r/min
Calculation factor f ₀	14
Mass complete bearing	0.3 kg
Thread grub screw G ₂	M5
Hexagonal key size for grub screw N	2.54 mm
Rubber seating ring	RIS 206 A