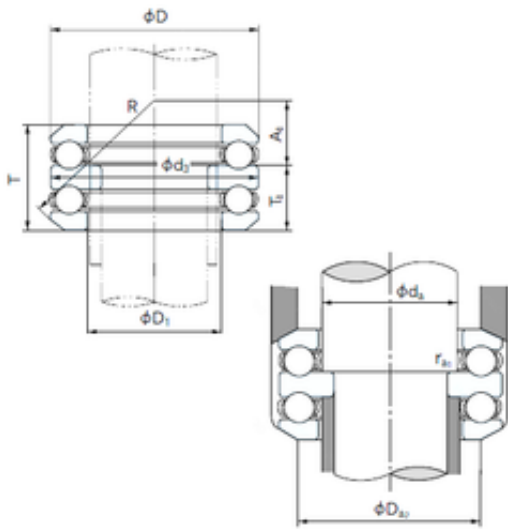




# AMERICAN Timken BEARING MFG. CORP.



## NACHI 54217 thrust ball bearings

Bearing No. 54217

Size	85x125x59.2 mm
Bore Diameter	85 mm
Outer Diameter	125 mm
Width	59.2 mm
d	85 mm
d2	70 mm
D	125 mm
T	59.2 mm
ra1 max.	1 mm
T1	35.6 mm
a	12 mm
d3	125 mm
r min.	1 mm
r1 min.	1 mm
A1	49.5 mm
D1	88 mm
D2	105 mm
D3	130 mm
R	100 mm
da min.	85 mm
Da max.	105 mm
ra max.	1 mm
Weight	2.34 Kg
Basic dynamic load rating (C)	95,5 kN
Basic static load rating (C0)	264 kN
(Grease) Lubrication Speed	1600 r/min

54217 Bearing 2D drawings and 3D CAD models



**AMERICAN Timken BEARING MFG.CORP.**