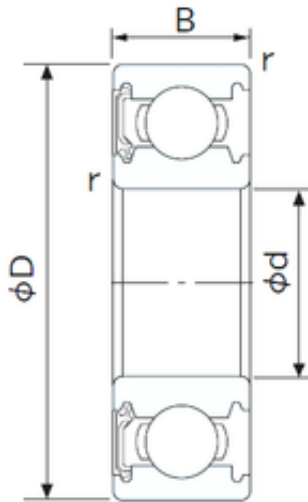




AMERICAN Timken BEARING MFG.CORP.



50 mm x 90 mm x 20 mm NACHI 6210NSE
deep groove ball bearings

Bearing No. 6210NSE

6210NSE Bearing 2D drawings and 3D CAD models

Size	50x90x20 mm
Bore Diameter	50 mm
Outer Diameter	90 mm
Width	20 mm
d	50 mm
D	90 mm
B	20 mm
C	20 mm
r min.	1.1 mm
da min.	57 mm
Da max.	83 mm
ra max.	1.0 mm
Weight	0.463 Kg
Basic dynamic load rating (C)	35 kN
Basic static load rating (C0)	23,2 kN
(Grease) Lubrication Speed	4700 r/min
Category	Single Row Ball Bearings
Inventory	0.0
Manufacturer Name	NACHI
Minimum Buy Quantity	N/A
Weight / Kilogram	0
Product Group	B00308
Enclosure	1 Seal
Precision Class	ABEC 1 ISO P0
Maximum Capacity / Filling	No



AMERICAN Timken BEARING MFG.CORP.

Slot	
Rolling Element	Ball Bearing
Snap Ring	No
Internal Special Features	No
Cage Material	Steel
Enclosure Type	Contact Seal
Internal Clearance	C0-Medium
Inch - Metric	Metric
Long Description	50MM Bore; 90MM Outside Diameter; 20MM Outer Race Width; 1 Seal; Ball Bearing; ABEC 1 ISO P0; No Filling Slot; No Snap Ring; No Internal Special Features; C0-Medium Internal Clearance; Steel Cage; C
Other Features	Deep Groove
Category	Single Row Ball Bearing
UNSPSC	31171504
Harmonized Tariff Code	8482.10.50.68
Noun	Bearing
Keyword String	Ball
Manufacturer URL	http://www.nachi-america.com
Weight / LBS	1.0648
Outer Race Width	0.787 Inch 20 Millimeter
Outside Diameter	3.543 Inch 90 Millimeter
Bore	1.969 Inch 50 Millimeter
Inner Race Width	0 Inch 0 Millimeter