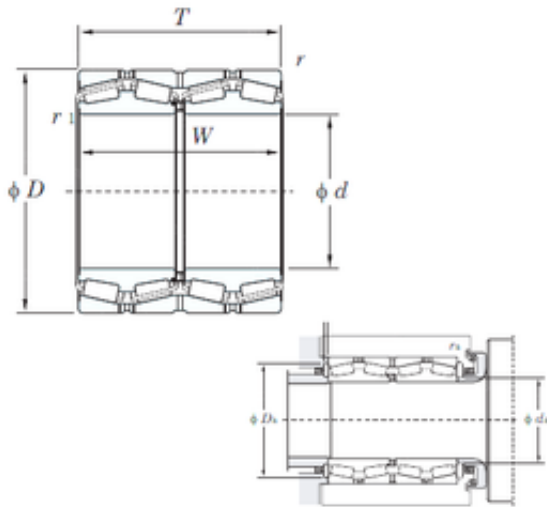




# AMERICAN Timken BEARING MFG. CORP.



## KOYO 47238 tapered roller bearings

Bearing No. 47238

Size	190x290x160 mm
Bore Diameter	190 mm
Outer Diameter	290 mm
Width	160 mm
d	190 mm
D	290 mm
T	160 mm
r min.	2.5 mm
r1 min.	3 mm
S	6.5 mm
W	160 mm
da min.	219.7 mm
Da min	263.4 mm
Da max.	278 mm
ra max.	2 mm
rb max.	2.5 mm
Weight	36.4 Kg
Basic dynamic load rating (C)	1200 kN
Basic static load rating (C0)	2260 kN
Calculation factor (e)	2.55
Calculation factor (Y0)	0.26

47238 Bearing 2D drawings and 3D CAD models