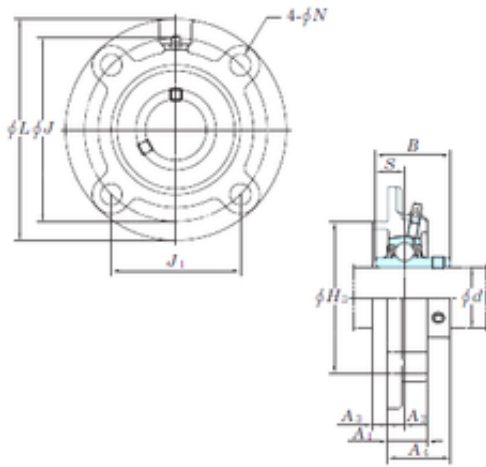




# AMERICAN Timken BEARING MFG.CORP.

## KOYO UCFC216 bearing units



Bearing No. UCFC216

Bore Diameter	80 mm
d	80 mm
H3	170 mm
A4	67,3 mm
A1	42 mm
B	82,6 mm
J	200 mm
L	240 mm
N	23 mm
S	33,3 mm
Bolt (G)	M20
A2	18 mm
A3	16 mm
J1	141,4 mm
Weight	8,7 Kg
Basic dynamic load rating (C)	72,7 kN
Basic static load rating (C0)	53 kN
Bearing No.	UCFC216
Bolt size	M20
Cr	72.7
C0r	53.0
f0	14.6
(Refer.)Unit mass(kg)	8.7
Nipple size	R1/8

UCFC216 Bearing 2D drawings and 3D CAD models