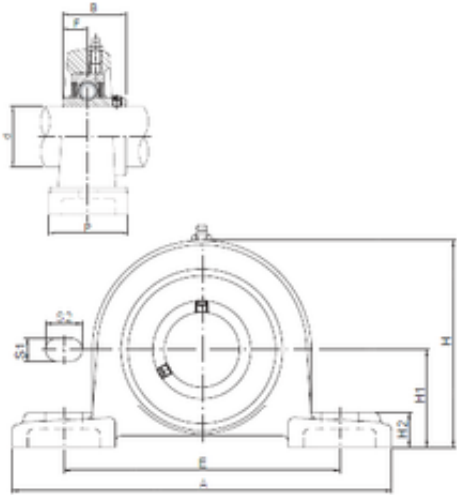




AMERICAN Timken BEARING MFG.CORP.

ISO UCP201 bearing units

Bearing No. UCP201



UCP201 Bearing 2D drawings and 3D CAD models

Bore Diameter	12 mm
d	12 mm
S1	13 mm
P	38 mm
A	127 mm
B	31 mm
E	95 mm
F	12,7 mm
H	62 mm
H1	30,2 mm
H2	14 mm
S2	19 mm
Bolt (G)	M10