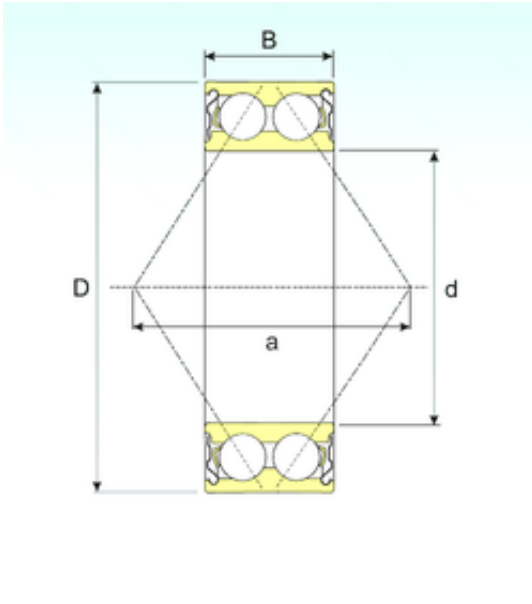




# AMERICAN Timken BEARING MFG.CORP.



3207-ZZ Bearing 2D drawings and 3D CAD models

35 mm x 72 mm x 27 mm ISB 3207-ZZ angular contact ball bearings

Bearing No. 3207-ZZ

Size	35x72x27 mm
Bore Diameter	35 mm
Outer Diameter	72 mm
Width	27 mm
d	35 mm
D	72 mm
B	27 mm
C	27 mm
a	42 mm
Weight	0,44 Kg
Basic dynamic load rating (C)	39,2 kN
Basic static load rating (C0)	27,44 kN
(Grease) Lubrication Speed	8550 r/min