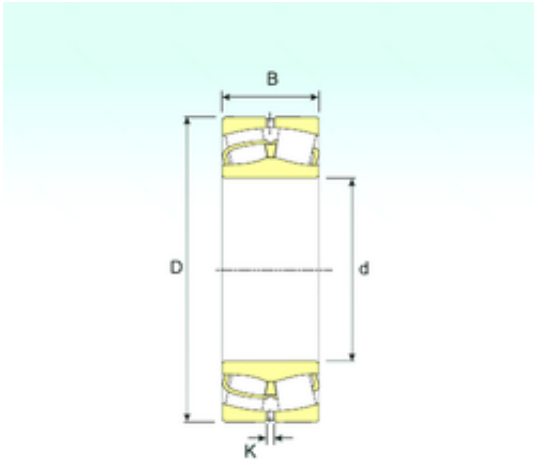




AMERICAN Timken BEARING MFG.CORP.



248/1800 Bearing 2D drawings and 3D CAD models

1800 mm x 2180 mm x 375 mm ISB 248/1800 spherical roller bearings

Bearing No. 248/1800

Size	1800x2180x375 mm
Bore Diameter	1800 mm
Outer Diameter	2180 mm
Width	375 mm
d	1800 mm
D	2180 mm
B	375 mm
C	375 mm
K	12 mm
Weight	2900 Kg
Basic dynamic load rating (C)	17248 kN
Basic static load rating (C0)	61740 kN
(Grease) Lubrication Speed	93,6 r/min