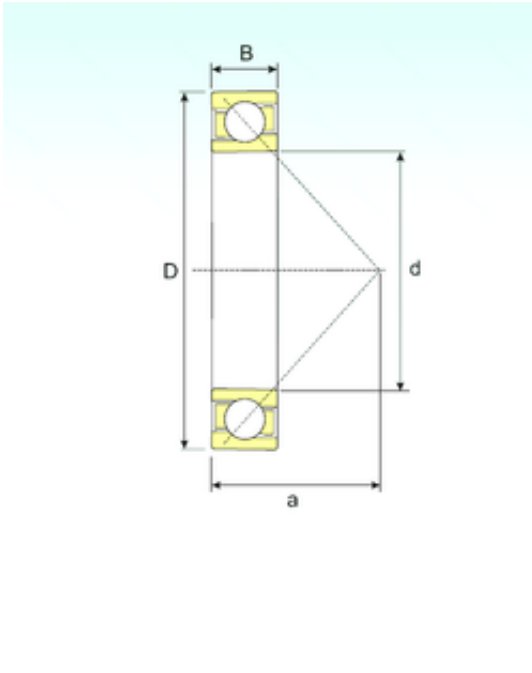




AMERICAN Timken BEARING MFG.CORP.



7221 B Bearing 2D drawings and 3D CAD models

105 mm x 190 mm x 36 mm ISB 7221 B angular contact ball bearings

Bearing No. 7221 B

Size	105x190x36 mm
Bore Diameter	105 mm
Outer Diameter	190 mm
Width	36 mm
d	105 mm
D	190 mm
B	36 mm
C	36 mm
a	80 mm
Weight	4,1 Kg
Basic dynamic load rating (C)	143 kN
Basic static load rating (C0)	102 kN
(Grease) Lubrication Speed	2800 r/min