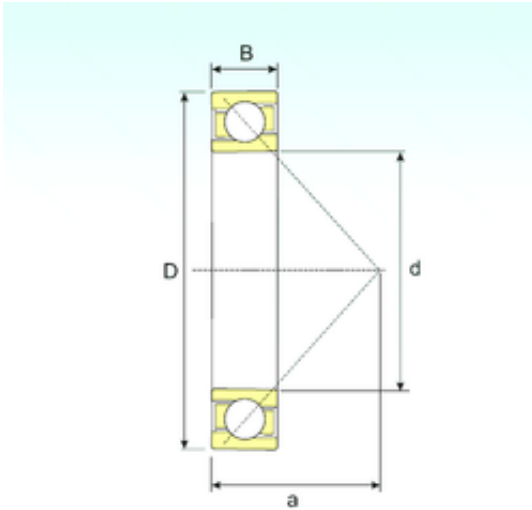




# AMERICAN Timken BEARING MFG.CORP.



7068 B Bearing 2D drawings and 3D CAD models

340 mm x 520 mm x 82 mm ISB 7068 B angular contact ball bearings

Bearing No. 7068 B

Size	340x520x82 mm
Bore Diameter	340 mm
Outer Diameter	520 mm
Width	82 mm
d	340 mm
D	520 mm
B	82 mm
C	82 mm
a	223 mm
Weight	61,5 Kg
Basic dynamic load rating (C)	449 kN
Basic static load rating (C0)	600 kN
(Grease) Lubrication Speed	800 r/min