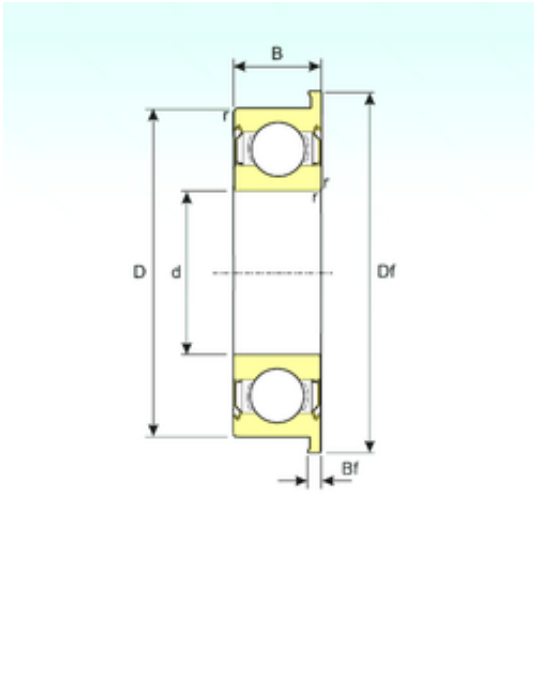




# AMERICAN Timken BEARING MFG.CORP.



MF74ZZ Bearing 2D drawings and 3D CAD models

4 mm x 7 mm x 2 mm ISB MF74ZZ deep groove ball bearings

Bearing No. MF74ZZ

Size	4x7x2 mm
Bore Diameter	4 mm
Outer Diameter	7 mm
Width	2 mm
d	4 mm
D	7 mm
B	2 mm
C	2 mm
Bf	0,6 mm
Df	8,2 mm
r min.	0,1 mm
Basic dynamic load rating (C)	0,16 kN