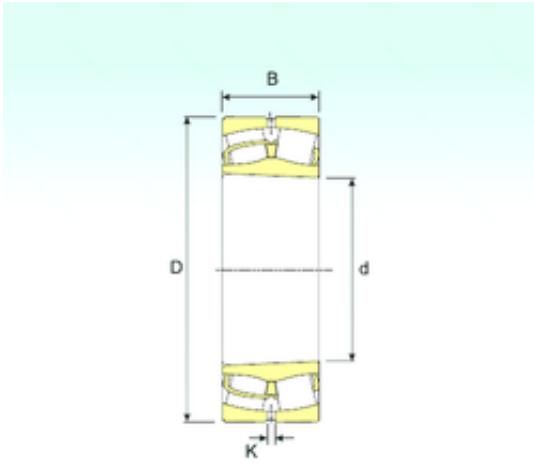




AMERICAN Timken BEARING MFG.CORP.



65 mm x 140 mm x 48 mm ISB 22313 K
spherical roller bearings

Bearing No. 22313 K

Size	65x140x48 mm
Bore Diameter	65 mm
Outer Diameter	140 mm
Width	48 mm
d	65 mm
D	140 mm
B	48 mm
C	48 mm
K	4,5 mm
Weight	3,75 Kg
Basic dynamic load rating (C)	333 kN
Basic static load rating (C0)	353 kN
(Grease) Lubrication Speed	3825 r/min

22313 K Bearing 2D drawings and 3D CAD models