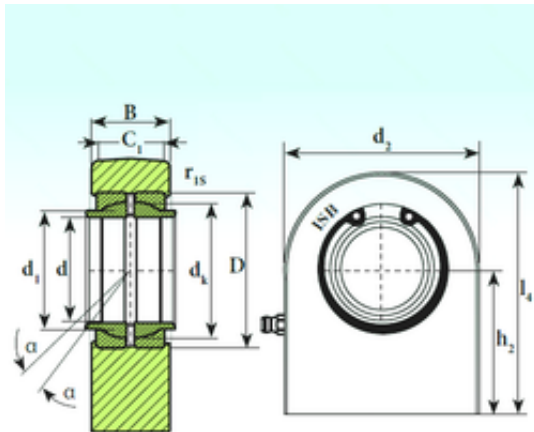




AMERICAN Timken BEARING MFG.CORP.



63 mm x 90 mm x 63 mm ISB T.P.N. 763 CE
plain bearings

Bearing No. T.P.N. 763 CE

Bore Diameter	63 mm
Outer Diameter	90 mm
d	63 mm
D	90 mm
d1	71,5 mm
d2	145 mm
dk	80 mm
h2	107 mm
l4 max.	178 mm
r min.	1 mm
B	63 mm
C1	50 mm
Angle	4 °
Weight	9,3 Kg
Basic dynamic load rating (C)	248 kN

T.P.N. 763 CE Bearing 2D drawings and 3D CAD models