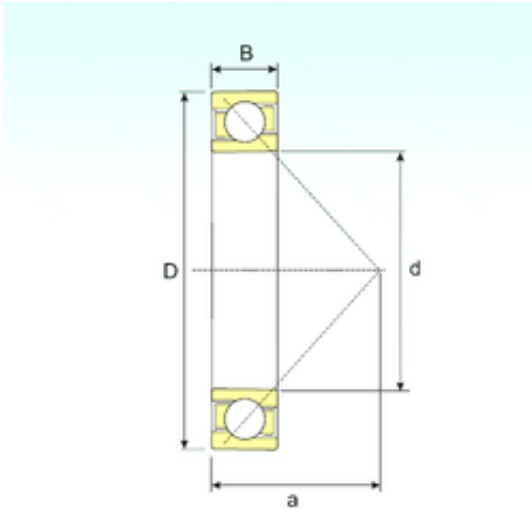




AMERICAN Timken BEARING MFG.CORP.



320 mm x 480 mm x 74 mm ISB 7064 A angular contact ball bearings

Bearing No. 7064 A

Size	320x480x74 mm
Bore Diameter	320 mm
Outer Diameter	480 mm
Width	74 mm
d	320 mm
D	480 mm
B	74 mm
C	74 mm
a	153 mm
Weight	44,5 Kg
Basic dynamic load rating (C)	436 kN
Basic static load rating (C0)	550 kN
(Grease) Lubrication Speed	700 r/min

7064 A Bearing 2D drawings and 3D CAD models