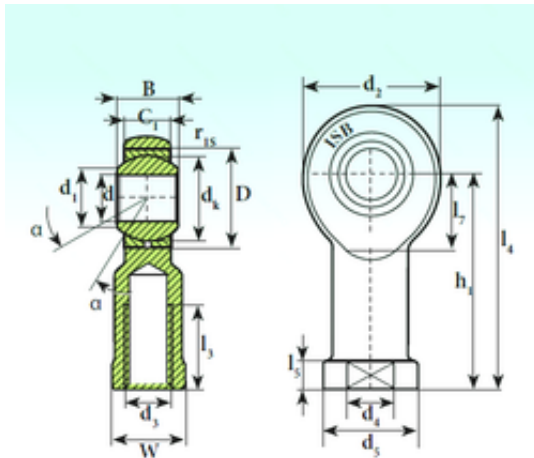




# AMERICAN Timken BEARING MFG.CORP.



TSF 20 C Bearing 2D drawings and 3D CAD models

20 mm x 40 mm x 25 mm ISB TSF 20 C plain bearings

Bearing No. TSF 20 C

Size	20x40x25 mm
Bore Diameter	20 mm
Outer Diameter	40 mm
Width	25 mm
d	20 mm
D	40 mm
B	25 mm
d1	24,3 mm
d2	50 mm
d4	27,5 mm
dk	34,93 mm
h1	77 mm
l3 min.	30 mm
l4 max.	102 mm
l5	10 mm
l7 min.	26 mm
r min.	0,3 mm
C1	18,5 mm
W	30 mm
Thread (G)	M20x1,5
Angle	14 °
d5	34 r/min
Weight	0,42 Kg
Basic dynamic load rating (C)	34 kN