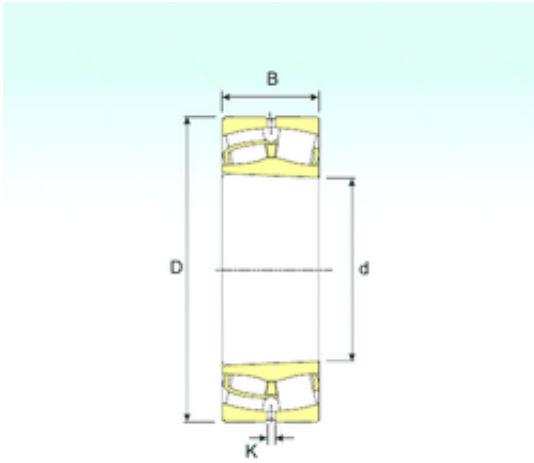




AMERICAN Timken BEARING MFG.CORP.



23280 K Bearing 2D drawings and 3D CAD models

400 mm x 720 mm x 256 mm ISB 23280 K
spherical roller bearings

Bearing No. 23280 K

Size	400x720x256 mm
Bore Diameter	400 mm
Outer Diameter	720 mm
Width	256 mm
d	400 mm
D	720 mm
B	256 mm
C	256 mm
K	12 mm
Weight	450 Kg
Basic dynamic load rating (C)	6419 kN
Basic static load rating (C0)	10192 kN
(Grease) Lubrication Speed	512,55 r/min