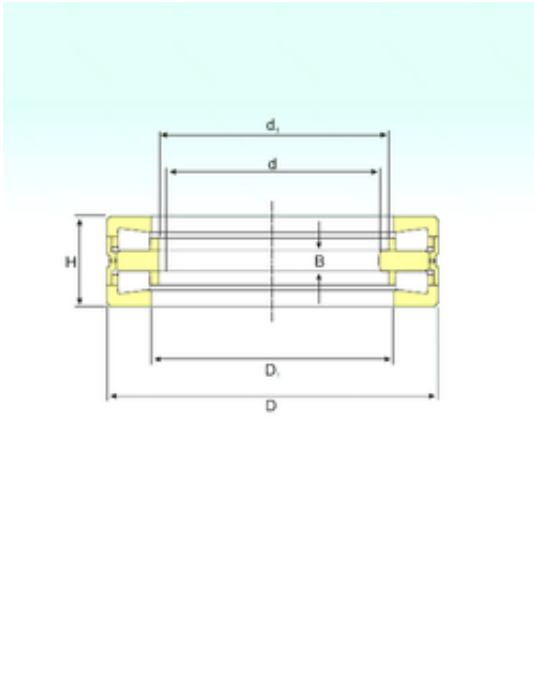




AMERICAN Timken BEARING MFG.CORP.



240 mm x 320 mm x 22 mm ISB 351182 C thrust roller bearings

Bearing No. 351182 C

Size	240x320x22 mm
Bore Diameter	240 mm
Outer Diameter	320 mm
Width	22 mm
d	240 mm
d1	251 mm
D	320 mm
B	22 mm
H	96 mm
D1	256 mm
Weight	21,5 Kg
Basic dynamic load rating (C)	409,64 kN

351182 C Bearing 2D drawings and 3D CAD models