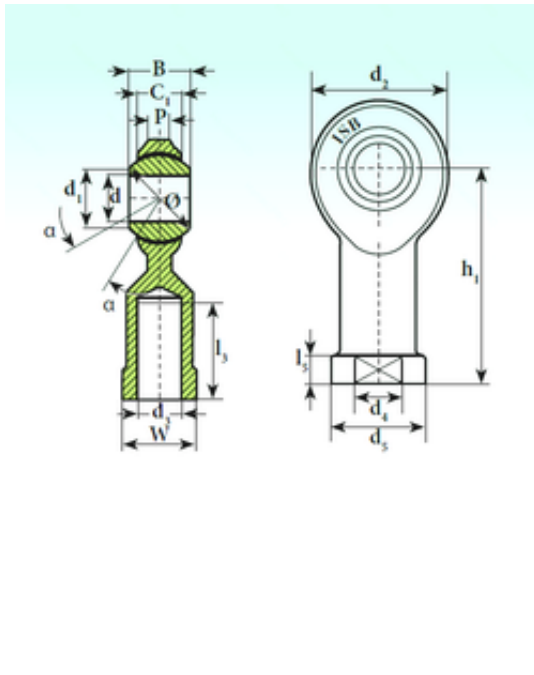




# AMERICAN Timken BEARING MFG.CORP.



TSF.R 14.1 Bearing 2D drawings and 3D CAD models

## ISB TSF.R 14.1 plain bearings

Bearing No. TSF.R 14.1

Bore Diameter	14 mm
d	14 mm
B	19 mm
P	7 mm
d1	16,8 mm
d2	35 mm
d4	20 mm
h1	57 mm
l3 min.	27 mm
l5	8 mm
C1	12 mm
W	21 mm
	25,40 mm
Thread (G)	M14x1,5
Angle	15 °
d5	25 r/min
Weight	0,158 Kg