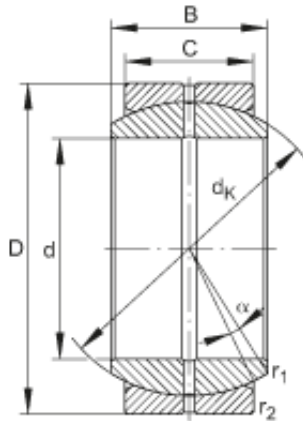




AMERICAN Timken BEARING MFG.CORP.



INA GE160-DO plain bearings

Bearing No. GE160-DO

Size	160x230x105 mm
Bore Diameter	160 mm
Outer Diameter	230 mm
Width	105 mm
C	80 mm
$D_{a \min}$	191 mm
$d_{a \max}$	170,2 mm
d_k	200 mm
$r_{1s \min}$	1 mm
$r_{2s \min}$	1 mm
alf (°)	8
Weight (kg)	14
C_r (N)	1360000
C_{Or} (N)	6800000
Category	Spherical Plain Bearings - Radial
Inventory	0.0
Manufacturer Name	SCHAEFFLER GROUP
Minimum Buy Quantity	N/A
Weight / Kilogram	17.004
EAN	4012802531046
Product Group	B04264
Self Aligning	Yes
Rolling Element	Spherical Plain
Material - Outer Member	Steel
Material - Ball	Steel

GE160-DO Bearing 2D drawings and 3D CAD models



AMERICAN Timken BEARING MFG.CORP.

Material - Liner	Not Applicable
Relubricatable	Yes
Enclosure	Open
Other Features	2 Piece Single Axial Split in Outer Ring
Long Description	160MM Bore; 80MM Housing Width; 230MM Outside Diameter; Spherical Plain; Steel Outer Member; Steel Ball; No Liner; 105MM Overall Width; Relubricatable
Inch - Metric	Metric
Category	Plain Bearings Spherical Radial
UNSPSC	31171515
Harmonized Tariff Code	8483.30.80.70
Noun	Bearing
Keyword 3	Spherical
Keyword String	Plain Spherical Radial
Manufacturer URL	http://www.ina.com
Manufacturer Item Number	GE160DO
Weight / LBS	29.77
Bore	6.299 Inch 160 Millimeter
Housing Width	3.15 Inch 80 Millimeter
Overall Width	4.134 Inch 105 Millimeter
Outside Diameter	9.055 Inch 230 Millimeter