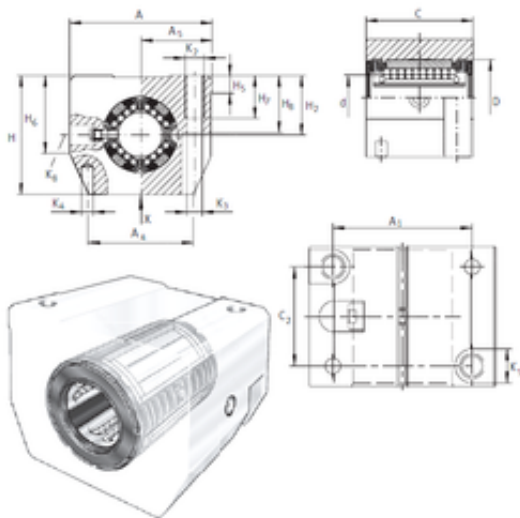




AMERICAN Timken BEARING MFG. CORP.

INA KGSNG50-PP-AS linear bearings

Bearing No. KGSNG50-PP-AS



KGSNG50-PP-AS Bearing 2D drawings and 3D CAD models

Size	50x75x100 mm
Bore Diameter	50 mm
Outer Diameter	75 mm
Width	100 mm
d	50 mm
D	75 mm
C	100 mm
H5	10,6 mm
H6	60 mm
H7	35 mm
H8	49 mm
K3	13,5 mm
K4	10 mm
K5	20 mm
Thread (K2)	M16
Thread (K8)	NIP 6 MZ
A4	90 mm
A5	66 mm
A	132 mm
A1	108 mm
H	105 mm
H2	50 mm
C2	50 mm
Weight	2,7 Kg
Basic dynamic load rating (C)	15,1 kN