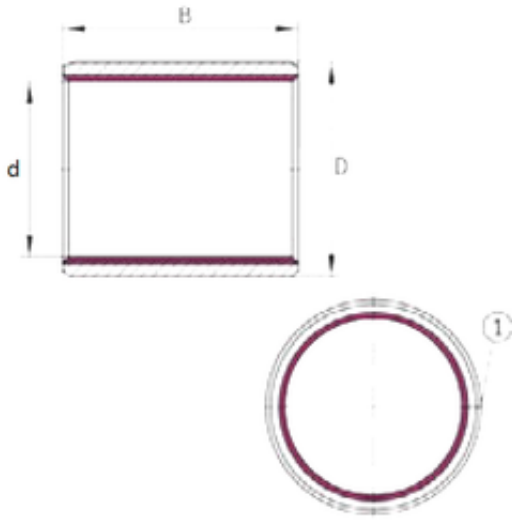




# AMERICAN Timken BEARING MFG.CORP.



70 mm x 75 mm x 40 mm INA EGB7040-E40  
plain bearings

Bearing No. EGB7040-E40

EGB7040-E40 Bearing 2D drawings and 3D CAD models

Size	70x75x40 mm
Bore Diameter	70 mm
Outer Diameter	75 mm
Width	40 mm
d	70 mm
D	75 mm
B	40 mm
Category	Sleeve Bearings
Inventory	0.0
Manufacturer Name	SCHAEFFLER GROUP
Minimum Buy Quantity	N/A
Weight / Kilogram	0.208
EAN	4012802618617
Product Group	B04264
Profile	Bushing No Flange Split
Material Description	Steel Backing, Bronze Innerstructure, PTFE-lead Overlay
Material	Permaglide P10
Inch - Metric	Metric
Long Description	70MM Nominal Bore; 75MM Nominal Outside Diameter; 40MM Length Thru Bore; Bushing No Flange Split Profile; Steel Backing, Bronze Innerstructure, PTFE-lead Overlay; Permaglide P10



## AMERICAN Timken BEARING MFG.CORP.

	Material
Category	Sleeve Bearings
UNSPSC	31171515
Harmonized Tariff Code	84833080
Noun	Bearing
Keyword String	Plain
Manufacturer URL	<a href="http://www.ina.com">http://www.ina.com</a>
Manufacturer Item Number	PAP7040P10
Weight / LBS	0.459
Nominal Bore	2.756 Inch   70 Millimeter
Length Thru Bore	1.575 Inch   40 Millimeter
Nominal Outside Diameter	2.953 Inch   75 Millimeter