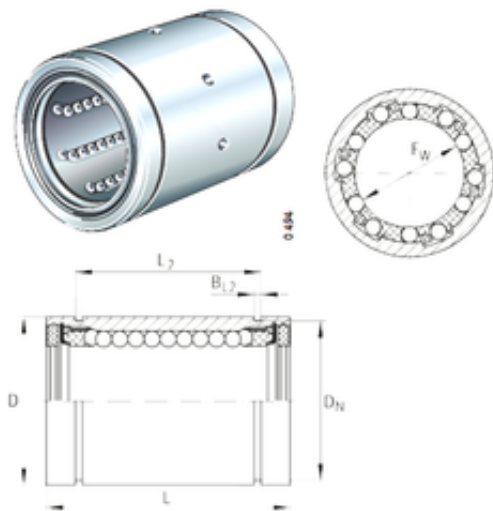




AMERICAN Timken BEARING MFG. CORP.

INA KB12 linear bearings

Bearing No. KB12



KB12 Bearing 2D drawings and 3D CAD models

Bore Diameter	12 mm
Outer Diameter	22 mm
Fw	12 mm
D	22 mm
Dn	21 mm
L2	22,6 mm
N2	1,5 mm
L	32 mm
BL2	1,3 mm
Weight	0,04 Kg
Basic dynamic load rating (C)	0,64 kN