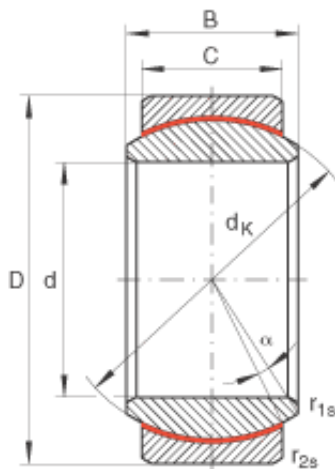




AMERICAN Timken BEARING MFG.CORP.



INA GE12-UK plain bearings

Bearing No. GE12-UK

GE12-UK Bearing 2D drawings and 3D CAD models

Size	12x22x10 mm
Bore Diameter	12 mm
Outer Diameter	22 mm
Width	10 mm
C	7 mm
D _{a min}	17,5 mm
d _{a max}	14,9 mm
d _k	18 mm
r _{1s min}	0,3 mm
r _{2s min}	0,3 mm
alf (°)	11
Weight (kg)	0,016
C _r (N)	11300
C _{0r} (N)	28400
Category	Spherical Plain Bearings - Radial
Inventory	0.0
Manufacturer Name	SCHAEFFLER GROUP
Minimum Buy Quantity	N/A
Weight / Kilogram	0
EAN	4012802038187
Product Group	B04264
Component	Complete with Outer and Inner Ring
Self Aligning	Yes
Rolling Element	Spherical Plain Bearing



AMERICAN Timken BEARING MFG.CORP.

Material - Outer Member	Steel
Material - Ball	Steel
Material - Liner	PTFE
Relubricatable	No
Enclosure	Open
Other Features	2 Piece Axially Split Outer Ring
Long Description	12MM Bore; 7MM Housing Width; 22MM Outside Diameter; Complete with Outer and Inner Ring; Self Aligning; Spherical Plain Bearing; Steel Outer Member; Steel Ball; PTFE Liner; Open; 10MM Overall Width; N
Inch - Metric	Metric
Category	Plain Bearings Spherical Radial
UNSPSC	31171515
Harmonized Tariff Code	8483.30.80.70
Noun	Bearing
Keyword 3	Spherical
Keyword String	Plain Radial Spherical
Manufacturer URL	http://www.ina.com
Manufacturer Item Number	GE12UK
Weight / LBS	0.035
Bore	0.472 Inch 12 Millimeter
Housing Width	0.276 Inch 7 Millimeter
Overall Width	0.394 Inch 10 Millimeter
Outside Diameter	0.866 Inch 22 Millimeter