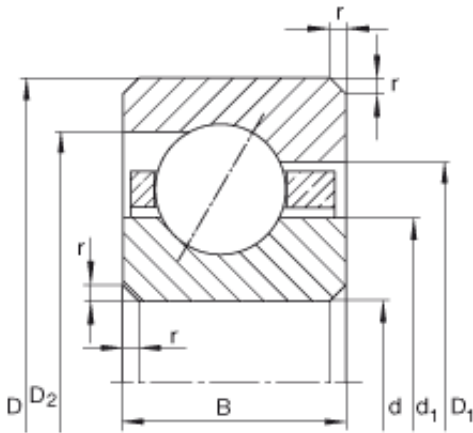




AMERICAN Timken BEARING MFG.CORP.

3 1/2 inch x 101,6 mm x 6,35 mm INA
CSEA035 deep groove ball bearings

Bearing No. CSEA035



CSEA035 Bearing 2D drawings and 3D CAD models

Size	88.9x101.6x6.35 mm
Bore Diameter	88,9 mm
Outer Diameter	101,6 mm
Width	6,35 mm
d	88,9 mm
d	3 1/2 inch
D	101,6 mm
B	6,35 mm
D ₁	96,9 mm
D ₂	98,2 mm
d ₁	93,6 mm
r _{min}	0,6 mm
m	0,08 kg / Weight
C _r	4000 N / Dynamic load rating (radial)
C _{0r}	5300 N / Static load rating (radial)
Category	Angular Contact Ball Bearings
Inventory	0.0
Manufacturer Name	SCHAEFFLER GROUP
Minimum Buy Quantity	N/A
Weight / Kilogram	0.08
EAN	4012802292992
Product Group	B00308
Enclosure	Open



AMERICAN Timken BEARING MFG.CORP.

Flush Ground	No
Rolling Element	Ball Bearing
Number of Rows of Balls	Single Row
Precision Class	ABEC 1 ISO P0
Maximum Capacity / Filling Slot	No
Snap Ring	No
Cage Material	Brass
Internal Clearance	C0-Medium
Number of Bearings	1 (Single)
Inch - Metric	Inch
Long Description	3-1/2" Bore; 4" Outside Diameter; 1/4" Width; Open; No Flush Ground; Ball Bearing; Single Row of Balls; ABEC 1 ISO P0; No Filling Slot; No Snap Ring; C0-Medium; Brass Cage; 1 (Single)
Other Features	Thin Section
Category	Angular Contact Ball Bearing
UNSPSC	31171531
Harmonized Tariff Code	8482.10.50.28
Noun	Bearing
Keyword String	Angular Contact
Manufacturer URL	http://www.ina.com
Weight / LBS	0.17
Outside Diameter	4 Inch 101.6 Millimeter
Bore	3.5 Inch 88.9 Millimeter
Width	0.25 Inch 6.35 Millimeter