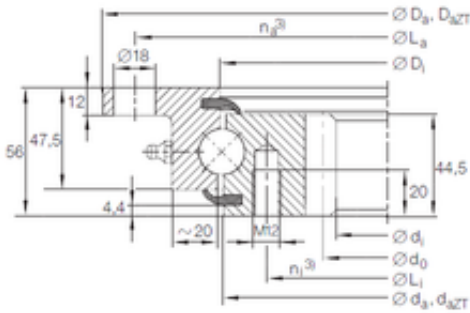




AMERICAN Timken BEARING MFG.CORP.

INA VLI 20 0844 N thrust ball bearings

Bearing No. VLI 20 0844 N



VLI 20 0844 N Bearing 2D drawings and 3D CAD models

Bore Diameter	736 mm
Outer Diameter	948 mm
d	736 mm
D	948 mm
Da	948 mm
Z	94 mm
m	8 mm
di	736 mm
Di	845,5 mm
da	842,5 mm
La	920 mm
na	14 mm
ni	20 mm
Li	805 mm
d0	752 mm
DaZT	946 mm
daZT	841 mm
Weight	61,5 Kg
Dynamic load rating radial (C)	145 kN
Dynamic load rating axial (C)	222 kN
Static load rating radial (C0)	224 kN