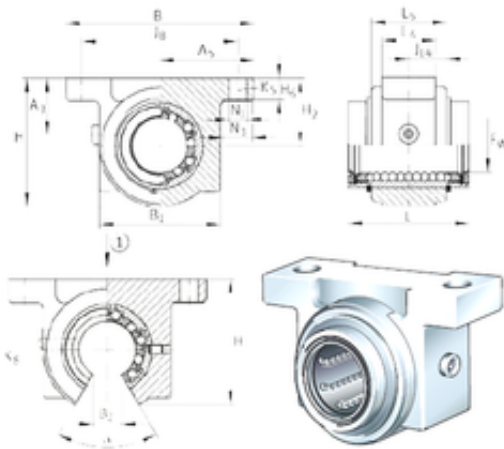




# AMERICAN Timken BEARING MFG. CORP.

## INA KGB016-PP-AS bearing units

Bearing No. KGB016-PP-AS



KGB016-PP-AS Bearing 2D drawings and 3D CAD models

Bore Diameter	16 mm
Fw	16 mm
B	56 mm
H6	6 mm
A5	28 mm
L4	15 mm
L5	22 mm
N3	10 mm
B1	35 mm
B2	10,1 mm
H	33,5 mm
H2	20 mm
N1	5,5 mm
A3	15 mm
L	36 mm
JB	46 mm
Thread (K5)	M5
JL4	6,5 mm
Weight	0,12 Kg
Basic dynamic load rating (C)	0,8 kN