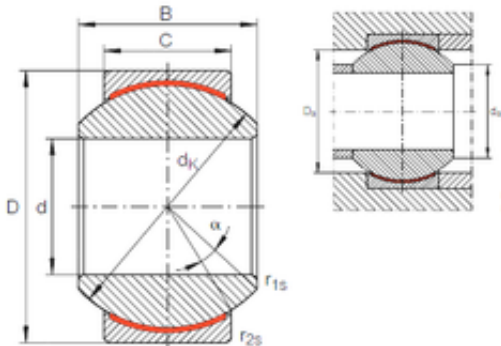




AMERICAN Timken BEARING MFG.CORP.

12 mm x 26 mm x 16 mm INA GE 12 PW plain bearings



Bearing No. GE 12 PW

Size	12x26x16 mm
Bore Diameter	12 mm
Outer Diameter	26 mm
Width	16 mm
d	12 mm
D	26 mm
B	16 mm
C	12 mm
dk	22,225 mm
r1 min.	0,3 mm
r2 min.	0,3 mm
da max	15,4 mm
Da min	19,5 mm
Angle	13 °
Weight	0,043 Kg
Basic dynamic load rating (C)	24 kN

GE 12 PW Bearing 2D drawings and 3D CAD models