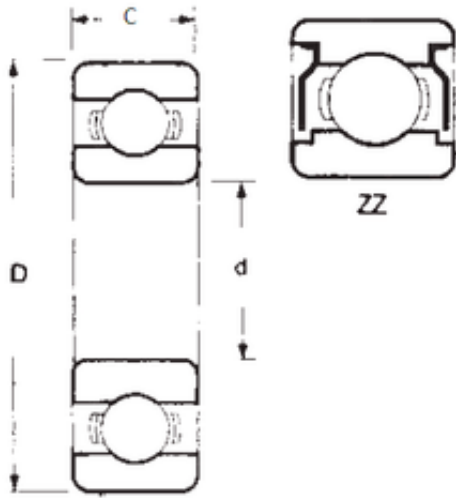




# AMERICAN Timken BEARING MFG.CORP.



100 mm x 140 mm x 20 mm FBJ 6920ZZ deep groove ball bearings

Bearing No. 6920ZZ

|                               |               |
|-------------------------------|---------------|
| Size                          | 100x140x20 mm |
| Bore Diameter                 | 100 mm        |
| Outer Diameter                | 140 mm        |
| Width                         | 20 mm         |
| d                             | 100 mm        |
| D                             | 140 mm        |
| B                             | 20 mm         |
| C                             | 20 mm         |
| Weight                        | 0,83 Kg       |
| Basic dynamic load rating (C) | 42,3 kN       |
| Basic static load rating (C0) | 41,5 kN       |

6920ZZ Bearing 2D drawings and 3D CAD models