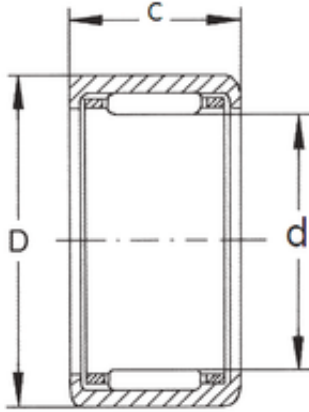




AMERICAN Timken BEARING MFG.CORP.

FBJ HK5025 needle roller bearings



Bearing No. HK5025

Size	50x58x25 mm
Bore Diameter	50 mm
Outer Diameter	58 mm
Width	25 mm
d	50 mm
D	58 mm
C	25 mm
Weight	0,09 Kg
Basic dynamic load rating (C)	29,5 kN
Basic static load rating (C0)	80 kN
(Grease) Lubrication Speed	3500 r/min

HK5025 Bearing 2D drawings and 3D CAD models