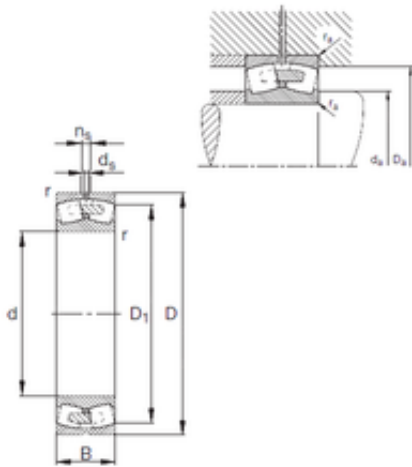




AMERICAN Timken BEARING MFG. CORP.

480 mm x 870 mm x 310 mm FAG 23296-E1A-MB1 spherical roller bearings



Bearing No. 23296-E1A-MB1

Size	480x870x310 mm
Bore Diameter	480 mm
Outer Diameter	870 mm
Width	310 mm
d	480 mm
D	870 mm
B	310 mm
C	310 mm
n	23,5 mm
r min.	7,5 mm
D1	737,1 mm
da min.	512 mm
Da max.	838 mm
ra max.	6 mm
d5	12,5 r/min
Weight	819 Kg
Basic dynamic load rating (C)	10000 kN
Basic static load rating (C0)	16200 kN
Fatigue load limit (Pu)	36,8
Reference speed	280 r/min
Limiting speed	740 r/min
Calculation factor (e)	0,36
Calculation factor (Y0)	1,86
Calculation factor (Y1)	1,9
Calculation factor (Y2)	2,83

23296-E1A-MB1 Bearing 2D drawings and 3D CAD models



AMERICAN Timken BEARING MFG.CORP.