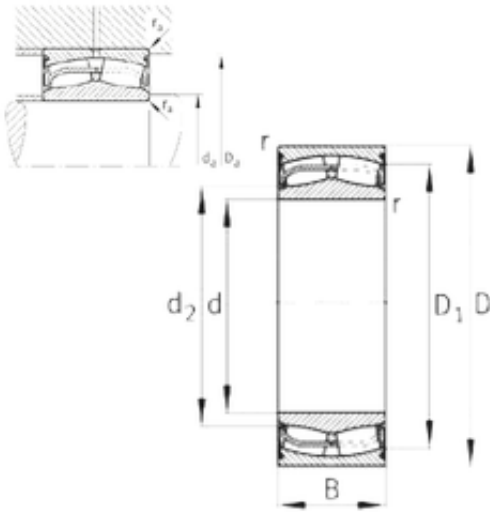




# AMERICAN Timken BEARING MFG.CORP.

120 mm x 180 mm x 60 mm FAG  
24024-E1-2VSR-H40 spherical roller bearings



Bearing No. 24024-E1-2VSR-H40

Size	120x180x60 mm
Bore Diameter	120 mm
Outer Diameter	180 mm
Width	60 mm
d	120 mm
D	180 mm
B	60 mm
C	60 mm
d2	131 mm
r min.	2 mm
D1	170,5 mm
da min.	129 mm
Da max.	171 mm
ra max.	2 mm
Weight	5,6 Kg
Basic dynamic load rating (C)	450 kN
Basic static load rating (C0)	690 kN
Fatigue load limit (Pu)	84
Limiting speed	860 r/min
Calculation factor (e)	0,29
Calculation factor (Y0)	2,28
Calculation factor (Y1)	2,33

24024-E1-2VSR-H40 Bearing 2D drawings and 3D CAD models