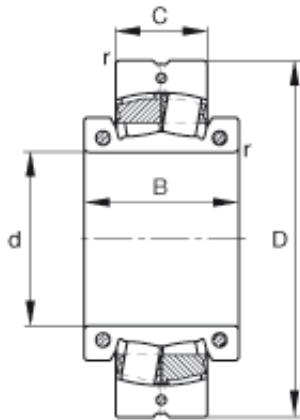




## AMERICAN Timken BEARING MFG.CORP.



14 inch x 620 mm x 270 mm FAG 231S.1400  
spherical roller bearings

Bearing No. 231S.1400

231S.1400 Bearing 2D drawings and 3D CAD models

Size	355.6x620x194 mm
Bore Diameter	355,6 mm
Outer Diameter	620 mm
Width	194 mm
d	355,6 mm
d	14 inch
D	620 mm
C	194 mm
B	270 mm
$r_{\min}$	5 mm
m	273 kg / Weight
$C_r$	3900000 N / Dynamic load rating (radial)
e	0,3
$Y_1$	2,28
$Y_2$	3,39
$C_{0r}$	6950000 N / Static load rating (radial)
$Y_0$	2,23
$n_G$	350 1/min / Limiting speed
$C_{ur}$	420000 N / Fatigue limit load, radial
$F_{a \max}$	60000 N / Permissible axial load, for inner ring without axial abutment
$M_i$	295 Nm / Tightening torque



# AMERICAN Timken BEARING MFG.CORP.

	per clamping screw
--	--------------------