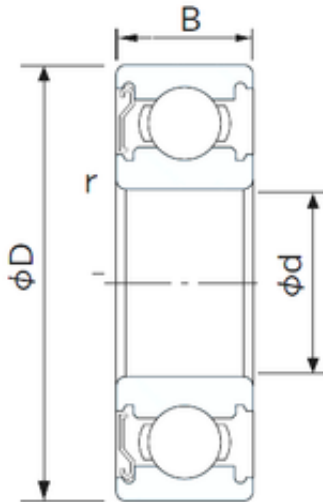




AMERICAN Timken BEARING MFG.CORP.



33,338 mm x 65,088 mm x 17,462 mm CYSD
1658-Z deep groove ball bearings

Bearing No. 1658-Z

Size	33.338x65.088x17.462 mm
Bore Diameter	33,338 mm
Outer Diameter	65,088 mm
Width	17,462 mm
d	33,338 mm
D	65,088 mm
B	17,462 mm
C	17,462 mm
r min.	1 mm
Weight	0,2359 Kg
Basic dynamic load rating (C)	16,21 kN

1658-Z Bearing 2D drawings and 3D CAD models