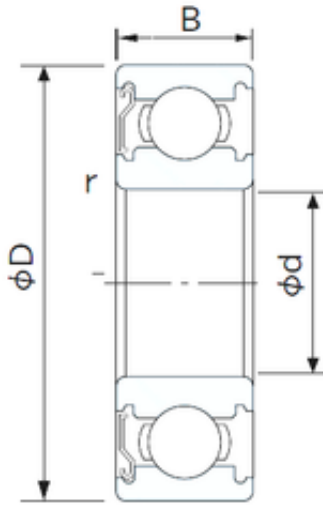




AMERICAN Timken BEARING MFG.CORP.



50 mm x 90 mm x 20 mm CYSD 6210-Z deep groove ball bearings

Bearing No. 6210-Z

Size	50x90x20 mm
Bore Diameter	50 mm
Outer Diameter	90 mm
Width	20 mm
d	50 mm
D	90 mm
B	20 mm
C	20 mm
r min.	1,1 mm
Weight	0,47 Kg
Basic dynamic load rating (C)	35 kN
Basic static load rating (C0)	23,2 kN
(Grease) Lubrication Speed	6700 r/min

6210-Z Bearing 2D drawings and 3D CAD models