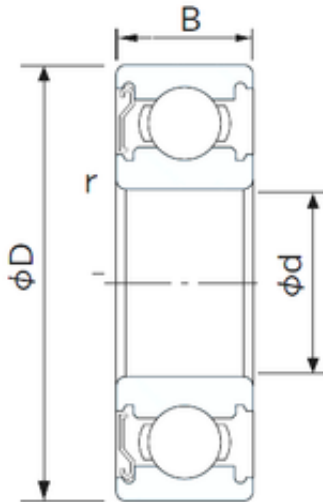




# AMERICAN Timken BEARING MFG.CORP.



70 mm x 125 mm x 24 mm CYSD 6214-Z deep groove ball bearings

Bearing No. 6214-Z

Size	70x125x24 mm
Bore Diameter	70 mm
Outer Diameter	125 mm
Width	24 mm
d	70 mm
D	125 mm
B	24 mm
C	24 mm
r min.	1,5 mm
Weight	1,07 Kg
Basic dynamic load rating (C)	60,8 kN
Basic static load rating (C0)	45 kN
(Grease) Lubrication Speed	4800 r/min

6214-Z Bearing 2D drawings and 3D CAD models